

# DF-Multi X2 42 inch

Left / Centre / Right, Dedicated Centre Loudspeaker

Cabinet colour

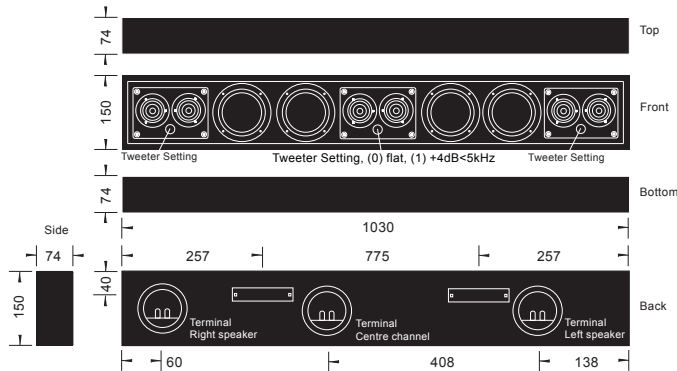


Black White RAL

Screen options



Match System



DF-Multi Loudspeaker  
Note: All dimensions are in mm.  
Articoustic can not be held responsible for any wrong or missing dimensions.

## DF-Multi 42 inch Technical highlights

### Tweeter:

Dual Ring Radiator diaphragm

Highly linear suspension and Low loss surrounds for high clarity and clean transient response

Copper caps for better HF extension and lower distortion

Wave-guide center plug, copper-clad aluwire

### Woofers:

Aluminum Short Circuiting Ring

4-layer voice coil, anodized aluminum for improved heat dissipation.

Distortion Reduced Motor

Rigid Cast Steel Basket

### Crossover:

Linear Phase 6 and 12 dB per octave

## DF-Multi X2

Operating Range:	70 Hz to 40 KHz
Beamwidth HF:	90 degrees X2
FR:	L & R SPL 1 Watt 89 dB Max SPL 104 dB avg 6 ohm continuous power handling 110 W
LF:	Centre SPL 1 Watt 95 dB Max SPL 114 dB avg 8 ohm continuous power handling 220 W
LF:	L & R Max SPL 89 dB avg 6 ohm continuous power handling 110 W
LF:	Centre Max SPL 110 dB avg 8 ohm continuous power handling 220 W
HF:	L & R Max SPL Switch setting (0) 106 dB, setting (1) 110 dB avg 4 ohm
HF:	Centre Max SPL Switch setting (0) 110 dB, setting (1) 114 dB avg 4 ohm
Centre channel, all units in parallel:	<input type="checkbox"/> SPL 1 Watt 98dB Max SPL 114 dB avg 4 ohm continuous power handling 110 W

Connections:	Gold plated push terminals, single / bi and tri amp, L,C,R.
Dimensions:	1030 H x 150 W x 74 D mm
Weight:	12 kg each

## Applications

2-channel stereo  
max SPL 1m 105dB max. SPL 4m 97dB

Home Cinema, small - medium room  
max SPL 1m 105dB max SPL 4m 97dB

(Centre Channel) Home Cinema, medium - large room ,  
screening room max SPL 1m 114dB max SPL 4m 106dB