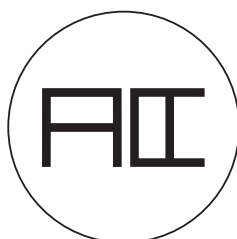
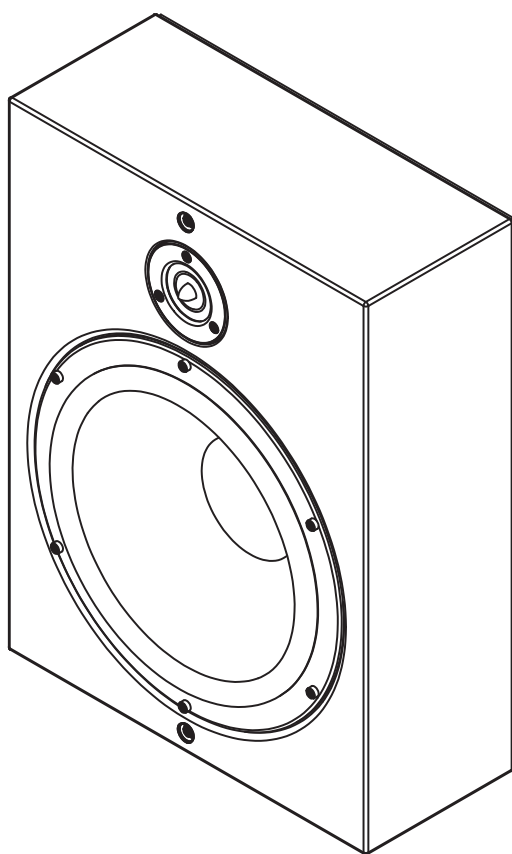


Artcoustic^{FI}

CPH-10P OWNERS MANUAL



www.artcoustic.com

Welcome to the world of Artcoustic!

Congratulations with your purchase of the Artcoustic CPH-10P passive monitor.

The CPH-10 P is one of Artcoustic's most versatile models. Its slim line profile, combined with a powerful and articulated performance, makes it the ideal choice for high-end hi-fi and multi room audio installations, without the need for a subwoofer. For an even more impressive performance, partner it with one of the Artcoustic subwoofers - an ideal setup for small and medium size cinema rooms.

The CPH-10P has been engineered to produce exceptional sound pressure level, normally only associated with typical professional audio products, and has been designed to ensure the utmost aesthetic residential pleasing options, with wall hanging mount as well as a shelf or table standing option, all combined with literally thousands of cabinet and front screens colours.

The CPH-10P is a genuine all-rounder. Whether you are looking for high-end sound from a single speaker, two speakers in a stereo music setup, or multiple speakers for cinemas and multi room audio, the CPH-10P will fulfil all your audio needs.

Thank you for purchasing the Artcoustic CPH-10P.

All the best,
The Artcoustic Team

CPH-10P FEATURES

High performance, high output

The slim line profile, combined with powerful and articulated performance, makes the CPH-10P an ideal choice for high-end hi-fi and multi room audio installations, without the need for a subwoofer. For a truly sensational result, partner it with one of the Artcoustic subwoofers.

Incredible bass response

The CPH-10P is a single 10-inch, long-throw mid-woofer design, that makes it possible to deliver a bass response that extends well down to 40Hz, resulting in a low frequency performance equivalent to a speaker twice its size.

VACT Bass system

The CPH-10P incorporates Artcoustic's in house designed 'Vario-Air-Compression Technology' system with a low-profile anti-resonant cabinet design, to ensure a powerful and clean bass.

Sparkling high frequency performance

The CPH-10P also excels at the upper end of the frequency spectrum, with a frequency response of up to 40kHz at 93dB (1w +/-2dB). Overall, the performance is exemplary with good, tight bass and sparkling high frequency performance. All within the Artcoustic's Scandinavian design aesthetic.

Ideal for any interior

The CPH-10P is ideal for 1 & 2 channel listening, small to medium sized home cinema installations, commercial use in bars, restaurants and corporate facilities.

Design customisation

Choose from unlimited colour options from NSC, RAL, and almost all well-known paint companies to match your cabinet colour and screen to your interior. Artcoustic has created a true all-rounder, covering most medium SPL applications, where high performance and aesthetics is a focal point.

Components Overview:

High Frequency driver:

Dual Ring Radiator diaphragm with highly linear suspension and low loss surrounds for high clarity and clean transient response. Copper caps for better HF extension and lower distortion and wave-guide center plug, copper-clad aluwire.

Woofers:

Extra long excursion and aluminium Short Circuiting Ring, 4-layer voice coil, anodised aluminium for improved heat dissipation, combined with Distortion Reduced Motor.

Crossover:

6 dB/octave low pass and 12 dB/octave high pass filter.

SPECIFICATIONS

CPH-10P Precision Monitor

Transducer:

LF-MF 1 x 10 inch cone

HF 1 x 1 inch Dual Ring Radiator

Crossover:

Low Pass Filter 6 dB/octave 1000 Hz High Pass

12 dB/octave 4000Hz

Connection:

Single Amped Gold Plated Push Terminals

Performance:

Operating Range 40 Hz (-3dB) to 40 kHz

Nominal Beamwidth Horizontal 90° Vertical 90°

Axial Sensitivity (whole space SPL) LF/MF-HF 93 dB

Input Impedance Nominal Minimum (Mono) 8 ohms

Recommended High Pass Filter =>1000 Hz, 24 dB/octave

Maximum Power Handling 150 Watt

Calculated Axial Output Limit (half space SPL) Average Peak LF/MF-HF 112dB

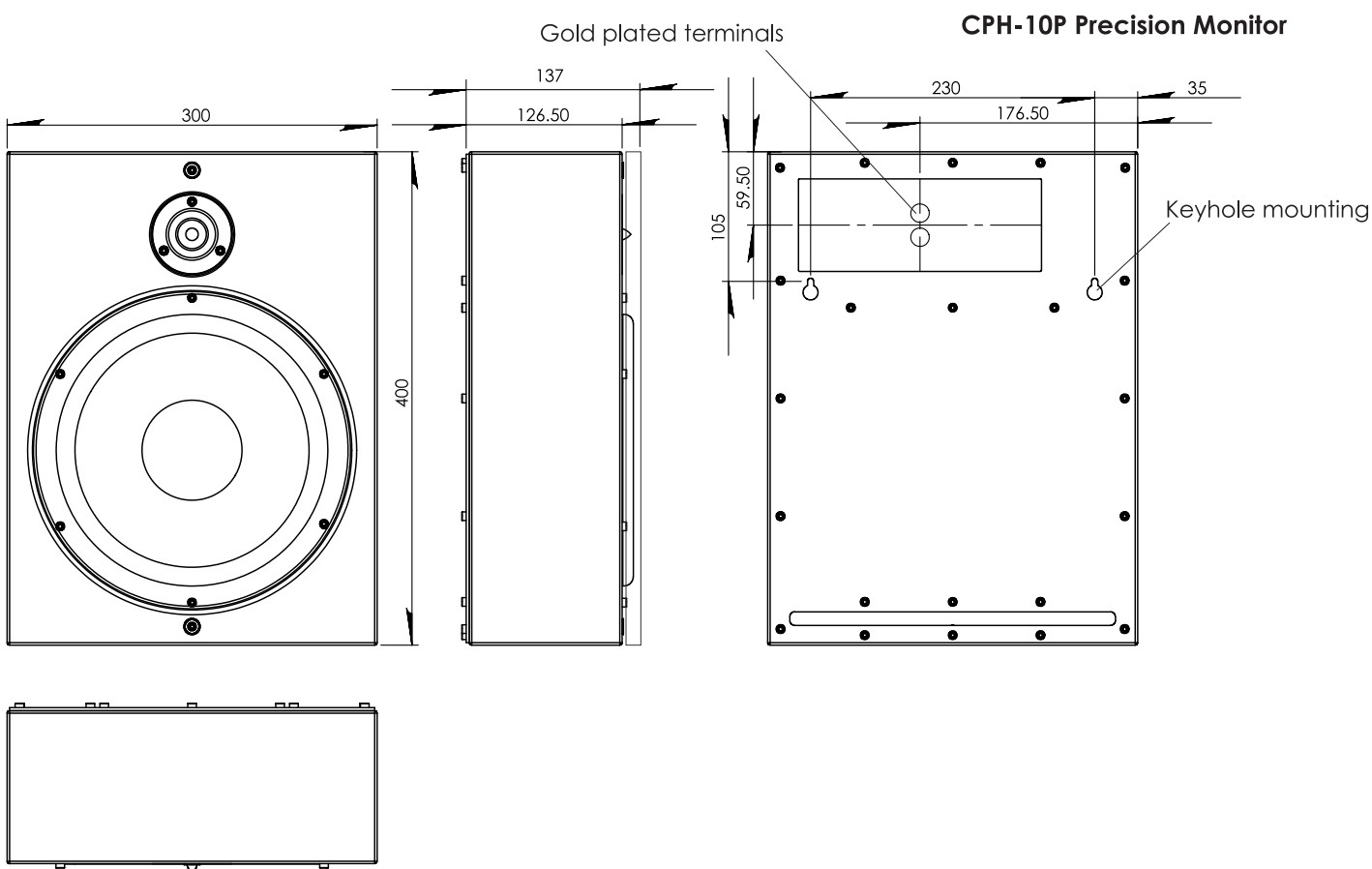
Weight 6 kg

Dimensions H: 400 W: 300 D: 126.5 mm

Finish:

Cabinet: Black, White, RAL, NCS, Tikkurila

Screen: Black, White, RAL, NCS, Tikkurila, Artcoustic Art Gallery



SAFETY INSTRUCTIONS

SAFETY:

1. Do not use this product near water.
2. Clean panel only with dry cloth.
3. Do not install near any heat sources, such as radiators, heat registers, stoves.

Refer all servicing to qualified service personnel. Servicing is required when the product has been damaged in any way, liquid has been spilled or objects have fallen into the product, the product has been exposed to rain or moisture, does not operate normally or has been dropped.

WARNING:

To reduce the risk of fire and electric shock do not expose this product to rain or moisture.

1. Do not place objects filled with liquids such as vases on the product.
2. Do not open a product. There are no user-serviceable parts inside.

This product complies with Part 15 of the FCC Rules. Its operation is subject to the following two conditions:

This product may not cause harmful interference,

This product must accept any interference received, including interference that may cause undesired operation.

Changes or modifications not expressly approved by the party responsible for compliance could void the user's authority to operate the equipment.

WARRANTY:

Is valid only for products purchased from an authorised Artcoustic retailer or dealer.

Is valid from the date of purchase for a period of 3 years for passive loudspeakers, one year for powered loudspeakers and electronics.

Is limited to the repair of the equipment (which could be a repair or replacement at our discretion, neither of which affects your original warranty). Neither transportation, nor any other costs, nor any risk for removal, transportation and installation of products is covered by this warranty.

Is only valid for the original owner. It is not transferable.

Will not be applicable in cases other than defects in materials and/or workmanship at the time of purchase and will not be applicable:

For deterioration of component parts, the nature of which is to become worn or depleted with use, such as batteries.

For damages caused by incorrect installation, connection or packing.

For damages caused by any use other than correct use described in the user manual, negligence, modifications, or use of parts that are not made or authorised by Artcoustic UK Ltd.

For damages caused by faulty or unsuitable ancillary equipment

For damages caused by accidents, lightning, water, fire heat, war, public disturbances or any other cause beyond the reasonable control of Artcoustic UK Ltd. And its appointed distributors.

If it is found necessary to return the product for repair, you may be given a Return Merchandise Authorisation. You should not return the product without this authorisation, if given.

To validate your warranty, you will need to produce the original sales invoice or other proof of ownership and date of purchase.