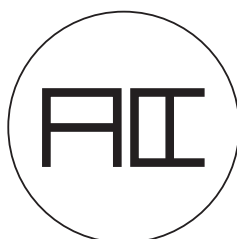


Artcoustic^{FIC}

CPH-X10 OWNERS MANUAL



www.artcoustic.com

Welcome to the world of Artcoustic!

CPH-X10 Wireless Audio

With the CPH-X10 Artcoustic brings you the ultimate wireless audio experience. The CPH-X10 is a uncompromised lossless signal, app. and network free audio solution. It connects any analogue device with a stream reach up to 200 m straight unobstructed line and all in perfect 10 zones sync.

Whether you are a musician looking for a portable speaker extension, or in the need for an active wireless subwoofer connection, the CPH-RX10 is your button free plug and play solution, which with simplicity and ease of use easily stretches to a more complex multi-room-audio solution. No matter the application CPH-X10 delivers high quality, reliable and affordable audio performance.

Thank you for purchasing the Artcoustic CPH-X10.

All the best,
The Artcoustic Team

Whats in the box.

- 1 pcs Artcoustic CPH-X10 transmitter or receiver
- 1 pcs AC multi-voltage power supply
- 1 pcs USB power cord
- 1 pcs USB power cord with RF filter
- 1 pcs Audio interconnection cable





CPH-X10 SPECIFICATIONS

Functions

1 Status indicator light: This Blue indicator light is always on after power on.

2 Pairing button: The transmitter and receiver are paired and completed by the factory and would depending on application normally not have to be re-paired. In case of transmitter and receiver needing to be re- paired, press the pairing button for 3 seconds at the same time on all units, after booting up.

During pairing you will see both the transmitter status indicator light and the receiver status indicator light flashing and after successful pairing, the status indicator lights will change from flashing to steady.

Tips: The transmitter only stays 15 seconds in the pairing mode, regardless of whether the pairing is successful or not. The transmitter will automatically exit the pairing mode after 15 seconds, and the transmitting indicator light will change from flashing to steady state.

Be sure to press the receiver's pairing button within 15 seconds.

If one transmitter is required to be used in combination with multiple receivers, each receiver must be re-paired separately with the transmitter.

3 Audio input port: Plug the audio extension cable into this port and connect it to the audio device output port through the audio extension cable.

4 Power input port: 5V supply voltage, powered by 5V 1A power adapter.

NOTE: If powered by an Artcoustic equipment USB port, always use the supplied power cable, including a noise filter.

Parameters

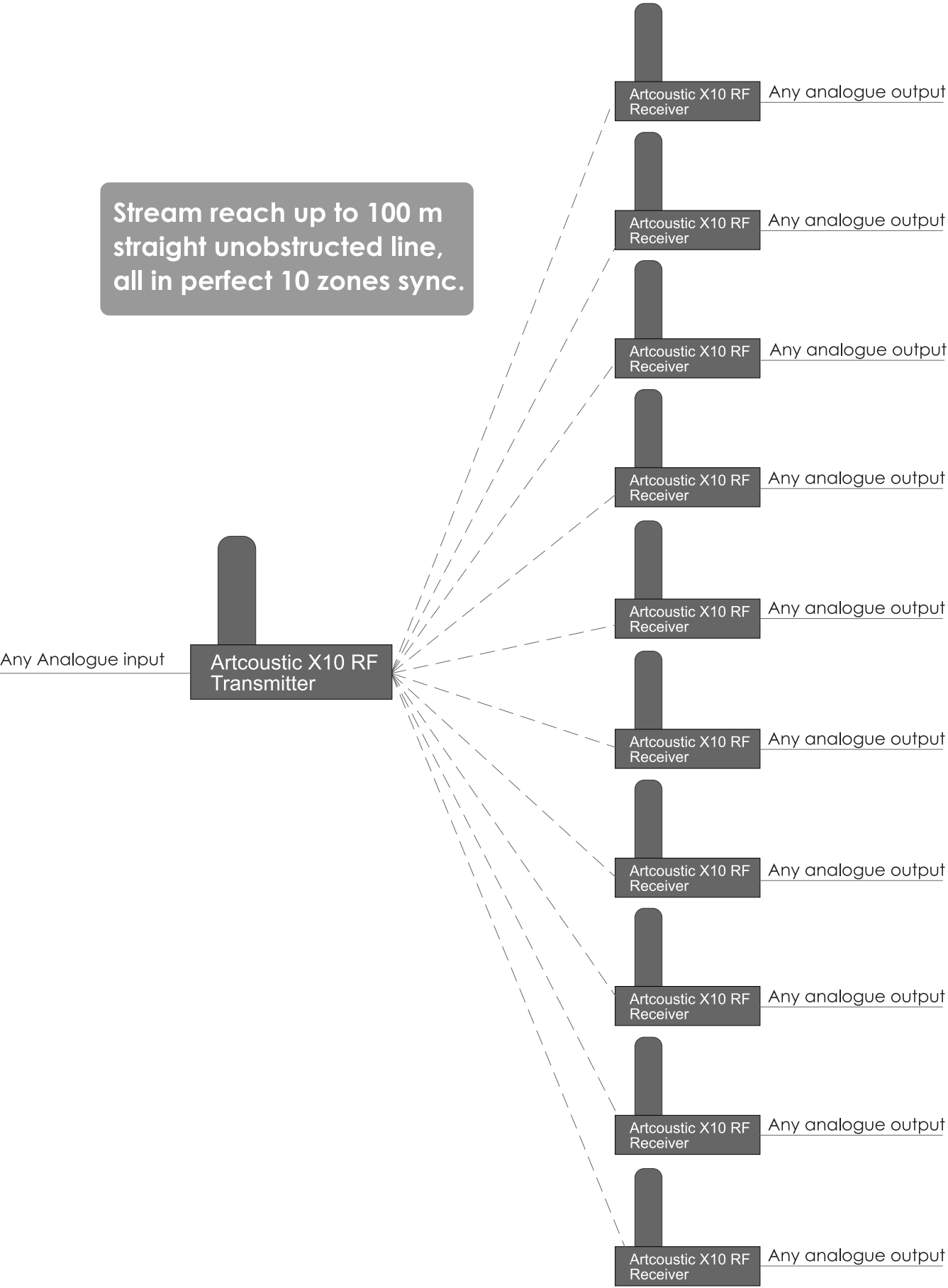
- Frequency Range: 2400MHz – 2483.5MHz
- Transmit power: =20 dBm
- Receiving sensitivity: -90 dBm
- Audio frequency response: 20Hz – 20KHz
- SNR:92 dB @ 20Hz - 20KHz
- Sampling Rate:48KHz
- Transmission delay:=13ms
- Maximum transmission distance: 200m@Open space
- Operating Voltage:5V
- Transmitter operating current: 240mA
- Receiver operating current: 70mA
- Size: H: 15 W: 78 D: 60mm
- Weight: 50g

WARNING!

- Do not place the transmitter at a dead angle in order to keep the transmitted signal quality good.
- When using the receiver, try to avoid placing it closer to other wireless transmitters, in order to avoid the interruption of the sound caused by the interference of the received signal.
- The digital modulation of this product is wireless bidirectional transmission, receiver will also transmit signals while receiving signals.
- In some cases transmitted signal may interfere with audio amplifiers and may cause the noise floor to rise. If the audio is found to be disturbing, move the receiver to a different location in order to avoid interference effects.
- Try to stay away from the electromagnetic sound field, high-voltage transmission network, and large metal objects.

CONNECTIVITY

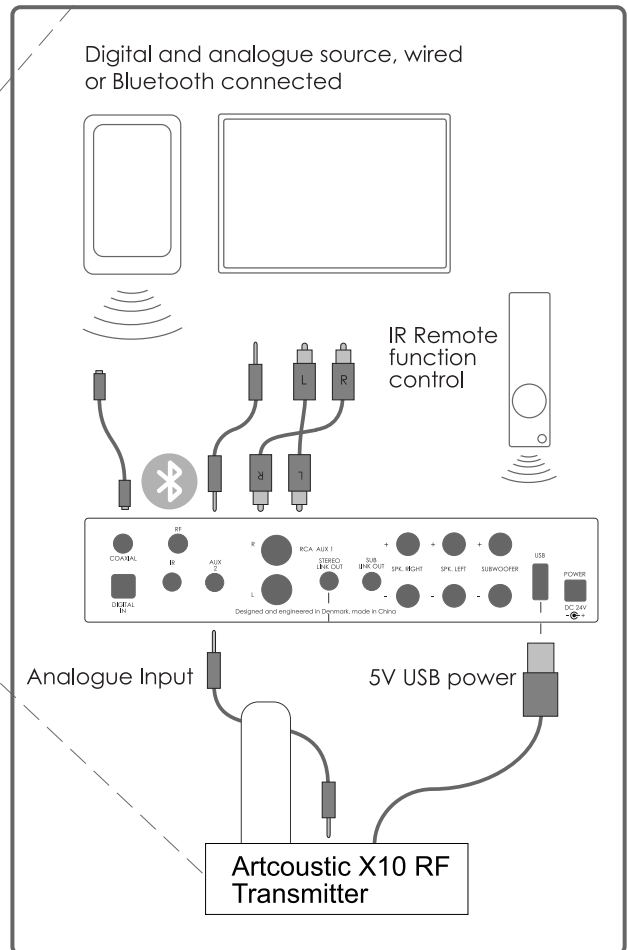
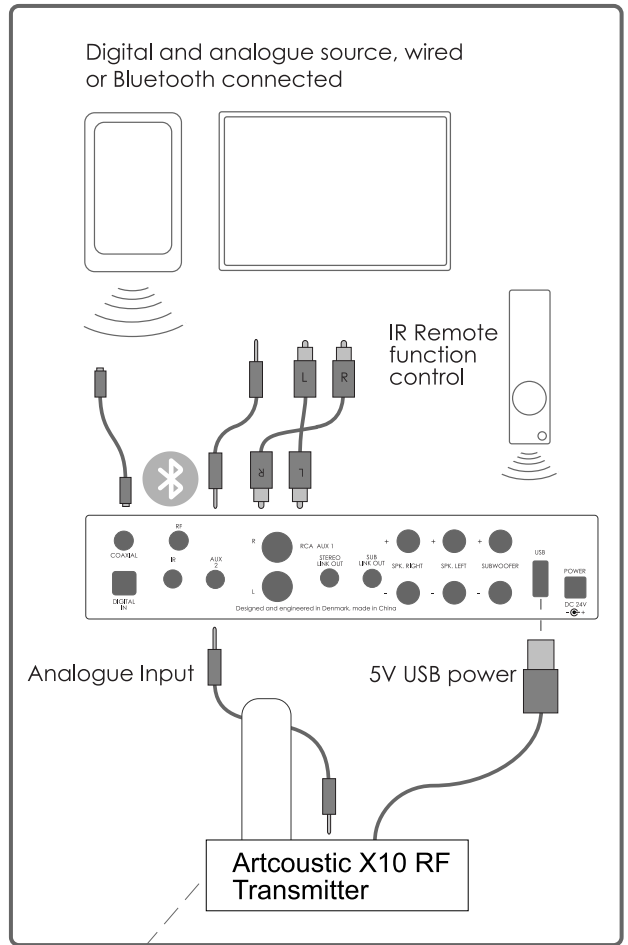
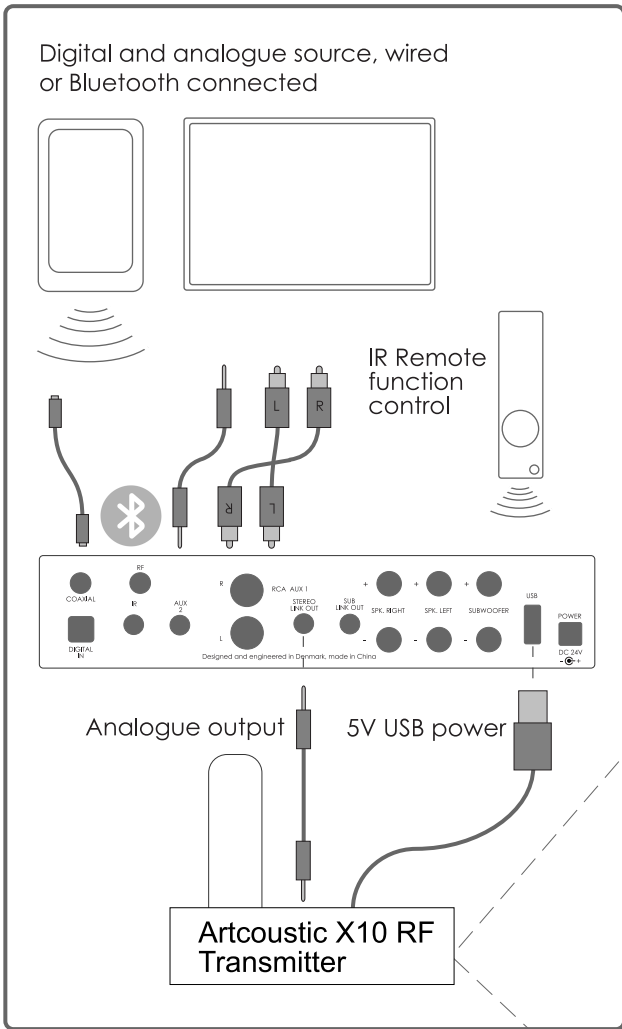
Stream reach up to 100 m straight unobstructed line, all in perfect 10 zones sync.



CONNECTIVITY

CONNECTING TRIO AMPLIFIER AND X10 RF

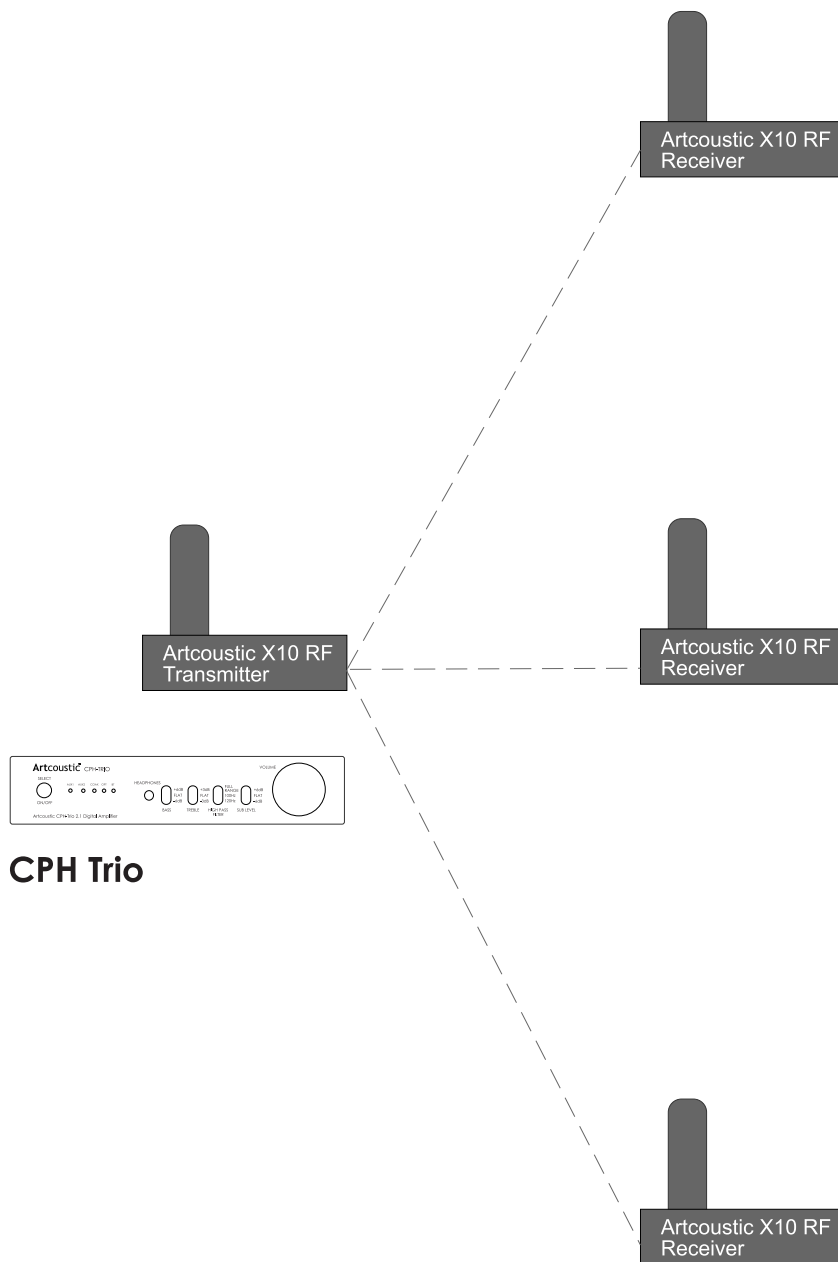
Turn your Artcoustic Trio amplifier into a powerful multi-room-audio system, delivering multiple analogue and digital inputs. For further convenience, use HI-FI grade Bluetooth connection as a simple plug and play solution with no complicated app or wireless network needed.



CONNECTIVITY

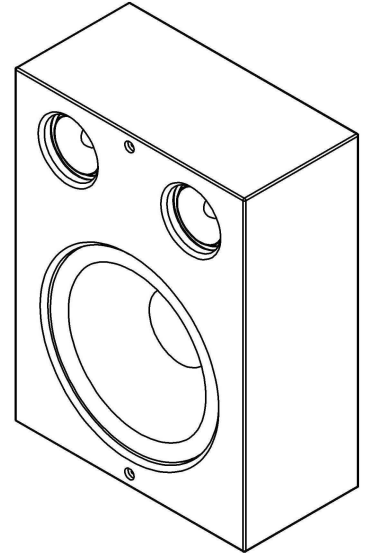
MULTIPLE ARTCOUSTIC ACTIVE COMPONENTS

Turn your Artcoustic Trio amplifier or any other active component into a powerful multi-room-audio system.

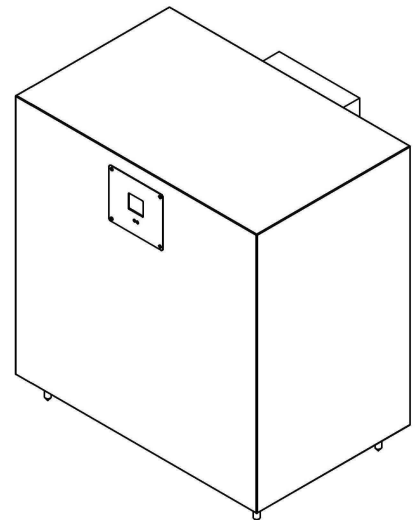


CPH Trio

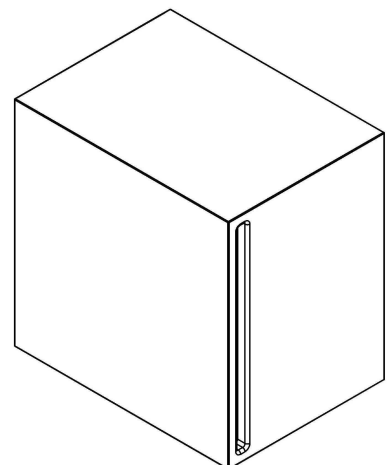
CPH Active speakers



ATiB Atmos Theater in a Box



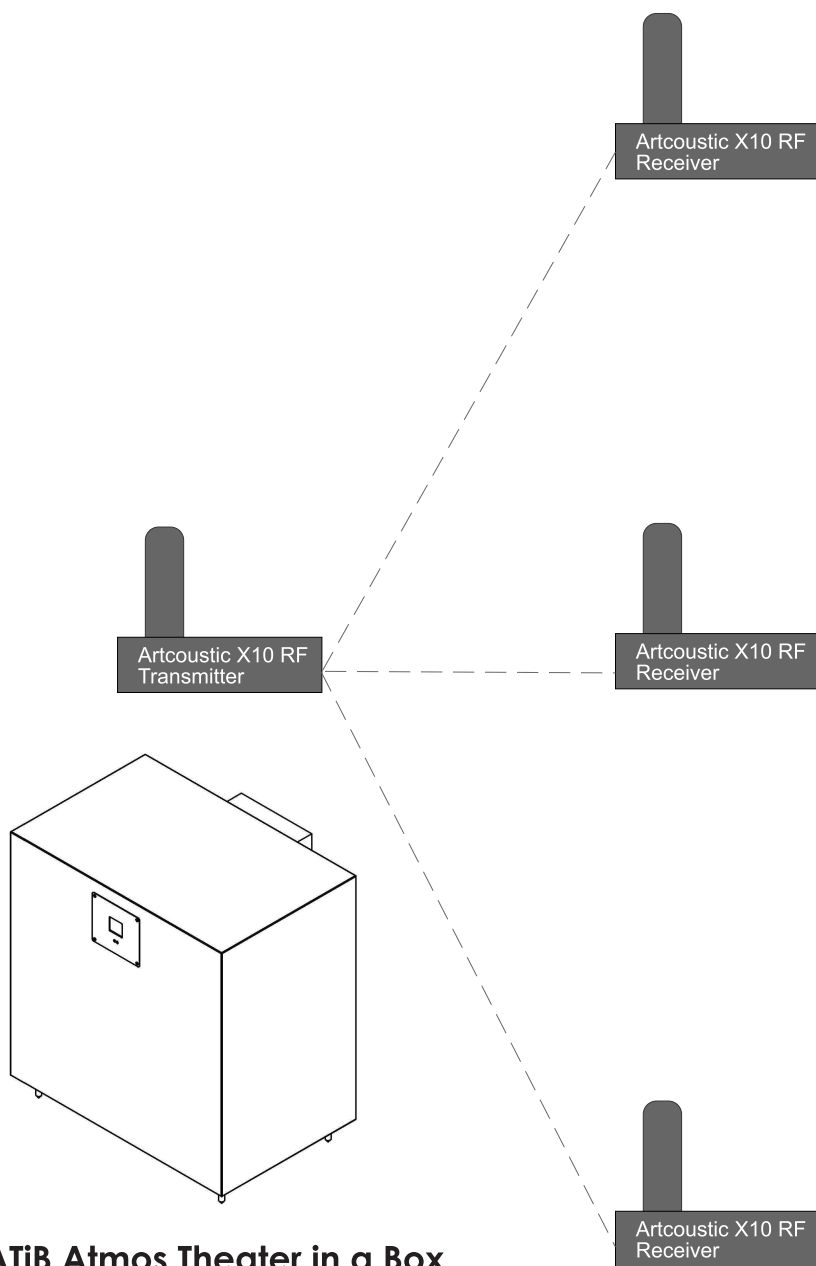
CPH Active subwoofer



CONNECTIVITY

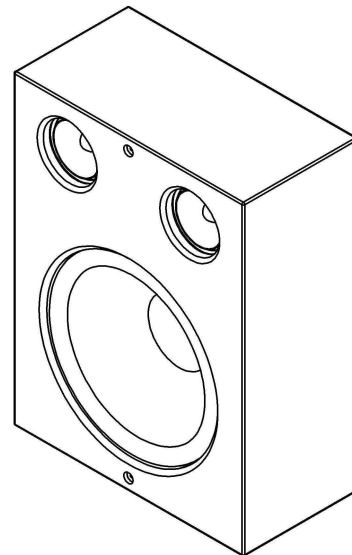
MULTIPLE ARTCOUSTIC ACTIVE COMPONENTS

Turn your Artcoustic ATiB or any other active component into a powerful multi-room-audio system.

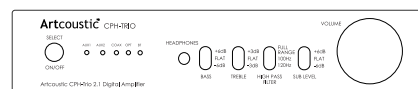


ATiB Atmos Theater in a Box

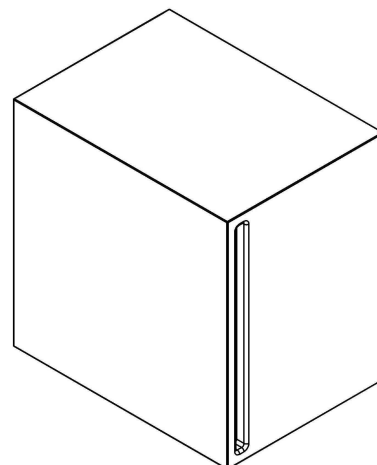
CPH Active speakers



CPH Trio



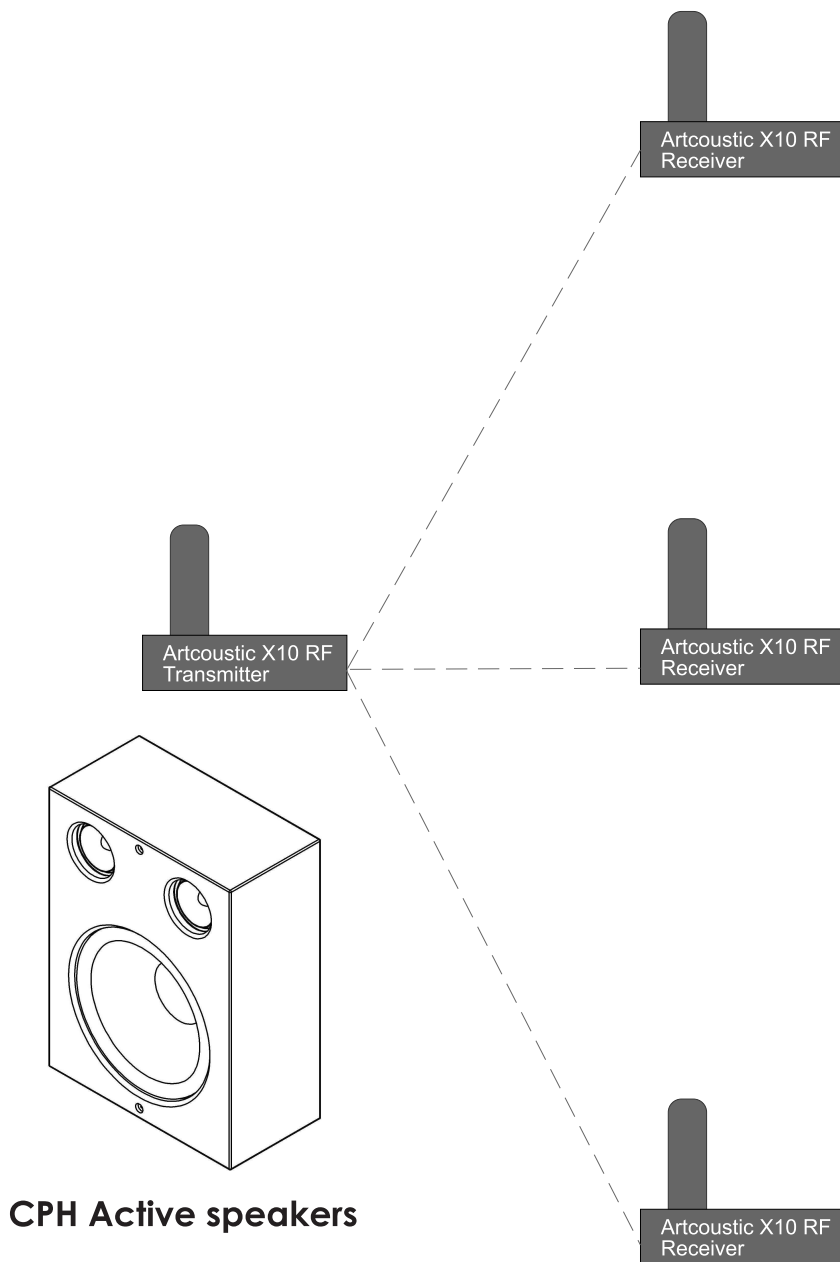
CPH Active subwoofer



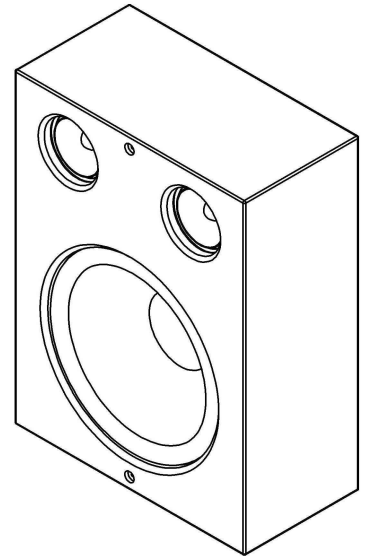
CONNECTIVITY

MULTIPLE ARTCOUSTIC ACTIVE SPEAKERS

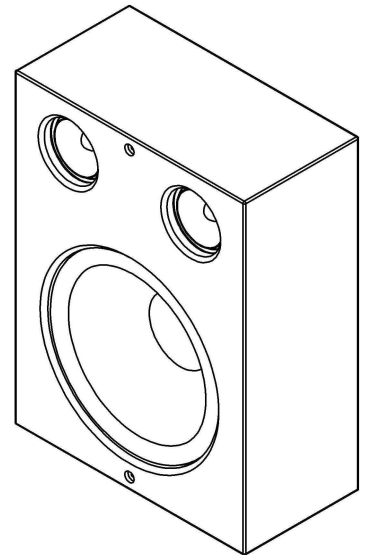
Turn your Artcoustic Active speakers into a powerful multi-room-audio system.



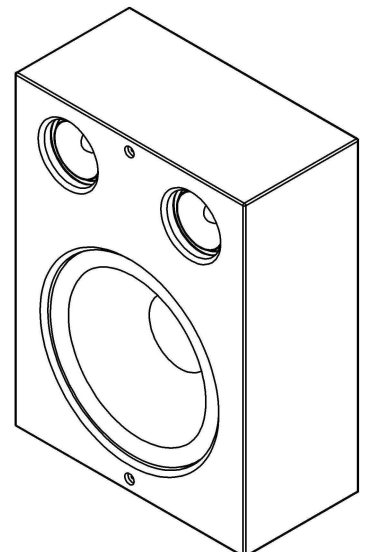
CPH Active speakers



CPH Active speakers



CPH Active speakers



SAFETY INSTRUCTIONS

SAFETY:

1. Do not use this product near water.
2. Clean rear panel only with dry cloth.
3. Do not block any ventilation openings.
4. Do not install near any heat sources, such as radiators, heat registers, stoves.

Refer all servicing to qualified service personnel. Servicing is required when the product has been damaged in any way, such as power-supply cord or plug is damaged, liquid has been spilled or objects have fallen into the product, the product has been exposed to rain or moisture, does not operate normally or has been dropped. To completely disconnect unit power from the AC mains, disconnect the unit's power cord from the mains socket.

WARNING:

To reduce the risk of fire and electric shock do not expose this product to rain or moisture.

1. Do not place product filled with liquids such as vases on the product.
2. Do not open product. There are no user-serviceable parts inside.
3. Always use the power supply shipped with this product. Using a power supply with wrong voltage or polarity can damage the electronics.

This product complies with Part 15 of the FCC Rules. Its operation is subject to the following two conditions:

This product may not cause harmful interference.

This product must accept any interference received, including interference that may cause undesired operation.

Changes or modifications not expressly approved by the party responsible for compliance could void the user's authority to operate the equipment.

WARRANTY:

Is valid only for products purchased from an authorized Artcoustic retailer or dealer.

Is valid from the date of purchase for a period of 3 years for passive loudspeakers, 2 years for powered loudspeakers and electronics.

Is limited to the repair of the equipment (which could be a repair or replacement at our discretion, neither of which affects your original warranty). Neither transportation, nor any other costs, nor any risk for removal, transportation and installation of products is covered by this warranty.

Is only valid for the original owner. It is not transferable.

Will not be applicable in cases other than defects in materials and/or workmanship at the time of purchase and will not be applicable:

For deterioration of component parts, the nature of which is to become worn or depleted with use, such as batteries.

For damages caused by incorrect installation, connection or packing.

For damages caused by any use other than correct use described in the user manual, negligence, modifications, or use of parts that are not made or authorized by Artcoustic UK Ltd.

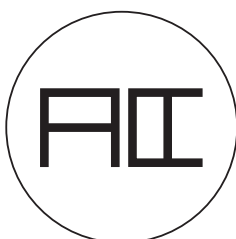
For damages caused by faulty or unsuitable ancillary equipment.

For damages caused by accidents, lightning, water, fire heat, war, public disturbances or any other cause beyond the reasonable control of Artcoustic UK Ltd. and its appointed distributors.

If it is found necessary to return the product for repair, you may be given a Return Merchandise Authorization. You should not return the product without this authorization, if given.

To validate your warranty, you will need to produce the original sales invoice or other proof of ownership and date of purchase.

Artcoustic^{FIG}



www.artcoustic.com